

Maclaren Products Ltd

Type DM80 series of Twin solenoid Gas Valves

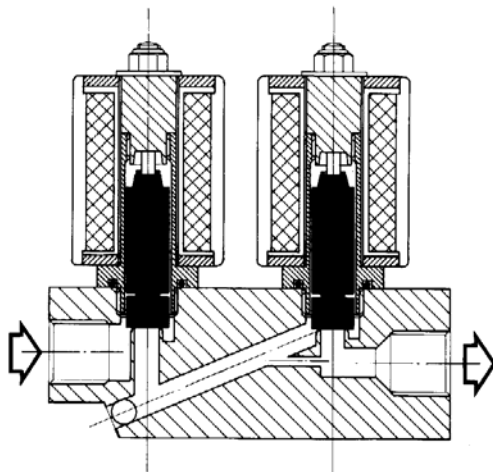
Features

- Approved to EN 161
- Connections: BS 21 ISO 7-1
- Replaceable solenoid coil
- Voltages: 230, 110/120, 24 Volt 50/60 Hz or 24, 12 volt DC
- Solenoid for DC is supplied without rectifier

The DM Series of Twin Solenoid Valves provide protection and control of pilot line installations in commercial, industrial and residential heating applications.

Valves are available with 1/8 inch, 1/4 inch or 12 mm thread body connections as well as different operating voltages. Typical applications include gas fires, gas tumble driers and low energy heating appliances.

The Type DM80 twin gas valve consists of an aluminium body on which two magnetic coils are mounted in line, giving a pair of shut-off valves in series.



Cross-section of valve showing direction of flow and optional by-pass.



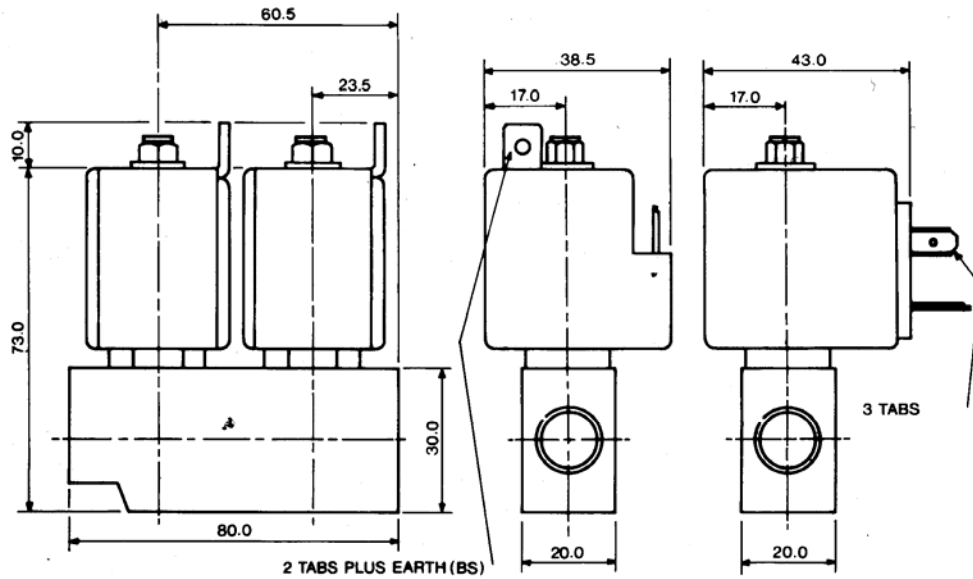
Specification

Product	: Class A : Group 2
Media	1 st , 2 nd & 3 rd family Gases
Ambient Temp Range	: -15° to 80° C
Opening Time	: < 1 second
Closing Time	: < 1 second
Working Pressure	: 360 mbar
Electrical Rating	: 9va both solenoids
Body Material	: Aluminium Bar
Seat Material	: Viton
Pipe Connections	: Rp 1/8, Rp 1/4
Mounting Position	: See diagram overleaf
Orifice Diameter	: 5.0 mm DM 803 : 7.0 mm

Flow Rates (Natural Gas SG 0.6)	Pipe Connections		
	Rp 1/8	Rp 1/4	12mm
At 2.5mbar ΔP	0.5m ³ /hr	0.5m ³ /hr	0.78m ³ /hr

Dimensions (mm)

Electrical Terminal Options



DM803
Valve Body
Functional

Users are reminded of their responsibility to ensure that controls are used safely, without risk to health and in compliance with local laws and regulations.

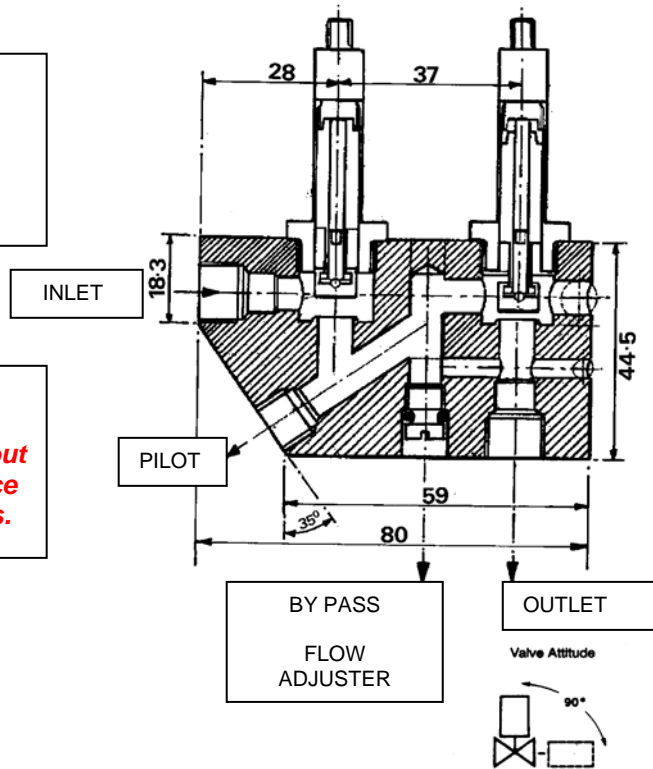


Table 1 Catalogue Numbers:-

Catalogue Number	Pipe Size	Voltage	Coil
Examples			
DM801-0500-VA01	Rp 1/8	230v 50/60 Hz	3 Tab (BS)
DM802-0500-VA01	Rp 1/4	230v 50/60 Hz	3 Tab (BS)
DM803-0711-VS11	12 mm	24v DC	2 Tab (BS)

Maclaren Products Ltd

Block 7 South Avenue
Blantyre Industrial Estate, Blantyre
Glasgow G72 0XB, Scotland, UK.
Telephone: +44 (0) 1698 327065
Fax: +44 (0) 1698 327066